



Eyedro[®]
GREEN SOLUTIONS INC.

PRODUCT GUIDE:
**HOME ELECTRICITY
MONITORING PRODUCTS**

for Single-Phase Residential Applications

CONTENTS

Introduction.....	4
Overview.....	4
Important Safety Information for Eyedro Monitoring Products	5
Additional Safety Information for Electricity Monitoring Products.....	6
Box Contents.....	7
Hardware Installation	8
Locating the Electrical Service	8
Service Box and Distribution Panel	8
Combination Service/Distribution Panel	8
Install Current Sensors	9
Materials You Will Need.....	9
Tools You Will Need	9
Procedure (Typical Single Split Phase Service Entrance).....	9
Procedure (Alternate Applications).....	10
Mount Eyedro Device	14
Materials You Will Need.....	14
Tools You Will Need	14
Procedure (Vertical Mount).....	14
Procedure (Horizontal Mount).....	15
Connect Cabling	16
Materials You Will Need.....	16
Tools You Will Need	16
Important.....	16
Procedure (Ethernet Installations)	16
Procedure (Wi-Fi Installations)	16
Internet Connection.....	17

PRODUCT GUIDE: HOME ELECTRICITY MONITORING PRODUCTS

Provisioning Wi-Fi..... 18

 Materials You Will Need..... 18

 Tools You Will Need 18

 Procedure 18

 Tips 19

Software Configuration..... 20

 MyEyedro.com..... 20

Specifications 21

 Hardware Specifications..... 21

 Sensor Specifications 21

Compliance 22

Warranty..... 23

 Limited One Year Warranty..... 23

Troubleshooting 24

Contact Information..... 25

INTRODUCTION

OVERVIEW

Thank you for choosing the Eyedro Electricity Monitoring System. You have taken the first step towards better awareness of where your energy is being consumed. Awareness can lead to energy savings, cost savings and peace of mind.

Eyedro Green Solutions Inc. is a software and electronics design company making electricity usage easy to understand. We provide simple solutions for monitoring your electricity in real-time.

Combined with the MyEyedro cloud service, Eyedro is an affordable, easy to install and scalable electricity monitor for your home and business. Join thousands of customers already using Eyedro to keep an eye on their electricity use.

The Eyedro Electricity Monitoring System will help you keep an eye on your electrical consumption. Its non-invasive design measures electrical current supplied to the building and computes the power consumed. Data is stored on a remote server 24 hours a day - 7 days a week - 365 days a year. There is no need to worry about losing your data or running out of storage space. Your data is available for review from anywhere you have access to the internet - at home, at work or on the go! The easy-to-use interface allows you to view your current and historical data, daily averages, bill to date and even predict what your total bill will look like. Use the browser on your mobile phone to walk through your house switching appliances on and off – you may be surprised by what you learn!

The Eyedro Electricity Monitoring System will help you realize just how much electricity you are wasting every day and how much money you could save by reducing that waste. You will soon realize that simple changes in your habits – like turning off lights, unplugging unused equipment, or dialing back the thermostat – will result in less consumption and more money in your pocket.

If you have any questions about using your Eyedro Electricity Monitoring System please visit eyedro.com for information, documentation, videos, and answers to frequently asked questions.

PLEASE READ ALL ENCLOSED INSTRUCTIONS PRIOR TO THE INSTALLATION.

EACH STEP OF THE ENCLOSED INSTRUCTIONS MUST BE FOLLOWED CAREFULLY.

IMPORTANT SAFETY INFORMATION FOR EYEDRO MONITORING PRODUCTS

The Eyedro Monitoring products (and all components) are designed for **INDOOR USE ONLY** and should be installed inside a suitable building or panel. When installing:

- ❗ **DO NOT** subject the unit or sensors to excessive temperature, humidity, force, shock, or dust.
- ❗ **DO NOT** use or store this product in locations that could adversely affect the product such as rain, snow, or desert.
- ❗ **DO NOT** immerse the unit in water or other liquids. If liquid is spilled over it, remove power, and clean up the spill immediately with a soft, lint-free, cloth and allow all electronics to fully dry before attempting to use.
- ❗ **DO NOT** use this product where the use of radio frequency products can cause interference in other critical control equipment (i.e., hospitals).

The Eyedro Monitoring products (and all components) are **NOT USER SERVICEABLE**. Please contact Eyedro Green Solutions Inc. if any component appears damaged or faulty.

- ❗ **DO NOT** open the case of the unit or tamper with any of the internal or external components.
- ❗ **DO NOT** attempt to repair the product by yourself.
- ❗ **DO NOT** dispose of this product in your household waste. At the end of its serviceable life please ensure product is disposed of according to local electrical and electronics equipment disposal practices.

The following notes apply to Eyedro Wireless products:

This equipment has been tested and found to comply with the limits for a Class A digital device, pursuant to part 15 of the FCC Rules. These limits are designed to provide reasonable protection against harmful interference in a residential installation. This equipment generates, uses and can radiate radio frequency energy, and if not installed and used in accordance with the instructions, may cause harmful interference to radio communications. However, there is no guarantee that interference will not occur in a particular installation. If this equipment does cause harmful interference to radio or television reception, which can be determined by turning the equipment off and on, the user is encouraged to try to correct the interference by one or more of the following measures:

Reorient or relocate the receiving antenna.

Increase the separation between the equipment and receiver.

Connect the equipment into an outlet on a circuit different from that to which the receiver is connected.

Consult the dealer or an experienced radio/TV technician for help.

To satisfy FCC RF Exposure requirements for mobile and base station transmission devices, a separation distance of 20 cm or more should be maintained between the antenna of this device and persons during operation. To ensure compliance, operation at closer than this distance is not recommended. The antenna(s) used for this transmitter must not be co-located or operating in conjunction with any other antenna or transmitter.

ADDITIONAL SAFETY INFORMATION FOR ELECTRICITY MONITORING PRODUCTS

It is important that you observe some simple safety precautions when installing Eyedro Electricity Monitoring products. The Eyedro Electricity Monitor was designed to be non-intrusive and easy to install. Typically, there is no need to disconnect any electrical cabling during the installation. However, there are several safety issues that should be considered when installing and using the system.



UNSURE ABOUT HANDLING ELECTRICAL WIRING? CONSULT A QUALIFIED ELECTRICIAN FOR SENSOR INSTALLATION.

WARNING: To reduce the risk of electric shock, always open or disconnect circuit from power-distribution system (or service) of building before installing or servicing current sensors, metering equipment, or sub-metering equipment.

Installation may require the cover of the main electrical panel to be removed while some wires are still electrified. Even when the main breaker has been turned 'OFF' certain areas of the panel may still be dangerous and carry the risk of shock, burn, and electrocution. **Installation should be performed by qualified electrician or duly qualified personnel where required by law. Check with your local authority having jurisdiction for permit and inspection requirements. DO NOT attempt installation unless you know where electrified areas within the panel are.**

The **current sensors** clip on to the live cables which supply electricity to your electrical panel and/or branch circuits and loads. When installing these sensors:

- ❗ **DO NOT** install the sensor onto a cable whose current exceeds the rated current of the sensor.
- ❗ **DO NOT** install the sensor onto cabling that is loose, wet, or appears damaged (cracked, burned, bare copper or missing insulation). Contact a qualified electrician and/or your electricity supplier to report your findings.
- ❗ **DO NOT** bend or force the cables during installation.
- ❗ **DO NOT** force the sensor onto the cabling if the cable diameter appears to be too large.

BOX CONTENTS



A



B



C



D

	Qty	Description
A	1	Eyedro Electricity Monitor with Ethernet and Wi-Fi connectivity (EMx.ENWI.2E)
B	2	200A Current Sensors
C	1	Low-voltage Power Adapter (North American model shown)
D	10ft (3m)	Ethernet Cable

HARDWARE INSTALLATION



DO NOT CONTINUE WITH THE INSTALLATION OF THE EYEDRO ELECTRICITY MONITORING SYSTEM UNTIL YOU HAVE READ THE SAFETY SECTION OF THIS GUIDE.

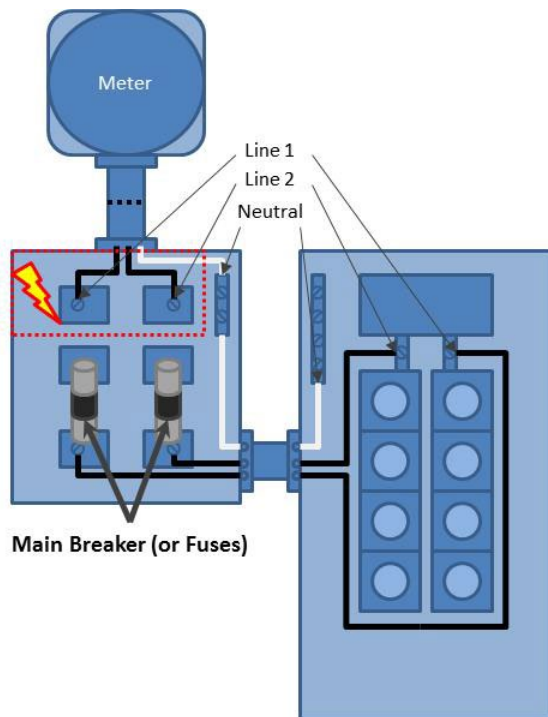
LOCATING THE ELECTRICAL SERVICE

The electricity panel is typically located in the garage or utility room of the building – although this is not always the case. The below diagrams show two typical 120/240V single (split) phase electrical service configurations:

SERVICE BOX AND DISTRIBUTION PANEL

In some cases, the service entrance wires, from the utility company, feed into a box that is isolated from the distribution panel.

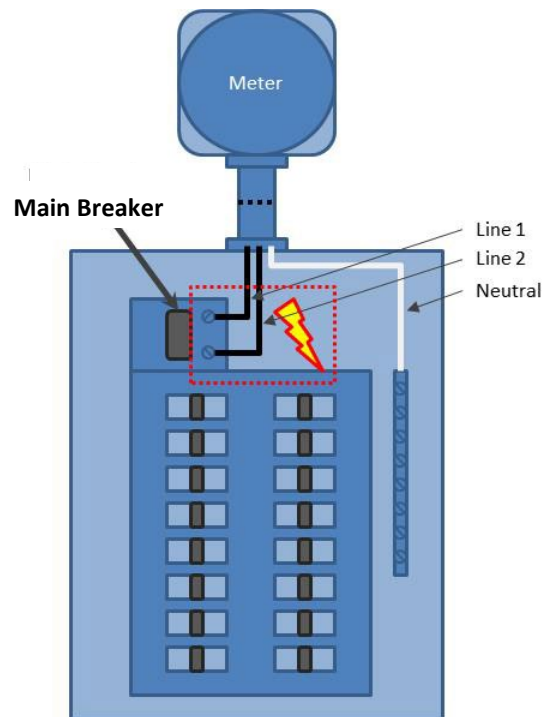
In this configuration, current sensors can be installed on the Line wires in either the service entrance panel or distribution panel.



COMBINATION SERVICE/DISTRIBUTION PANEL

In some cases, the service entrance wires, from the utility company, and main breaker are integrated into a single main electrical panel.

In this configuration, current sensors are installed on the Line wires between the main breaker and the meter.



INSTALL CURRENT SENSORS

MATERIALS YOU WILL NEED

- ✓ Eyedro Current Sensors
- ✓ Approved bushing or connector (not included)
- ✓ Labels (optional – not included)

TOOLS YOU WILL NEED

- ✓ Flashlight
- ✓ Screwdriver
- ✓ Pliers

PROCEDURE (TYPICAL SINGLE SPLIT PHASE SERVICE ENTRANCE)

Current sensors are **installed on the individual line (live/hot) wires only**. This must be done inside the electrical panel or junction box where the electrical connection is separated into the individual line, neutral and ground wires.

- ❗ **Do not** install sensors on **neutral or ground wires**.
- ❗ **Do not** install sensors on **extension cords, appliance cords or sheathed cables**.
- ❗ **Do not** install sensors on **wires exceeding the max rating of the sensor**.

1. Turn off the power by disengaging the main disconnect switch or turning off the main breaker.



CAUTION: EVEN WITH THE MAIN BREAKER IN THE 'OFF' POSITION, THE SERVICE ENTRANCE WIRES WILL STILL BE ELECTRIFIED (BEFORE THE BREAKER). EXTREME CAUTION SHOULD ALWAYS BE TAKEN WHILE WORKING AROUND ELECTRICITY.

2. Carefully remove panel cover(s) to expose service entrance wires.
3. Carefully remove a 'knockout' on the side of the panel and add an approved bushing or connector to protect the wires that will pass through it.
4. Install one current sensor over **each service entrance line wire**.
 - a. Squeeze the clamp to **open the sensor**.
 - b. Carefully **place the wire in the sensor** opening.
 - c. Carefully **close the sensor** by releasing the clamp. Ensure the sensor is completely closed.
5. Optionally, use tape or other label to uniquely identify each sensor at the end of the wire nearest the connector (i.e., "Sensor 1", "Phase A", etc.).
6. Route sensor cables through the bushing/connector so the plug ends are on the exterior of the panel.
7. Once all sensors are installed correctly, replace panel cover(s).
8. Turn on the power.

PROCEDURE (ALTERNATE APPLICATIONS)

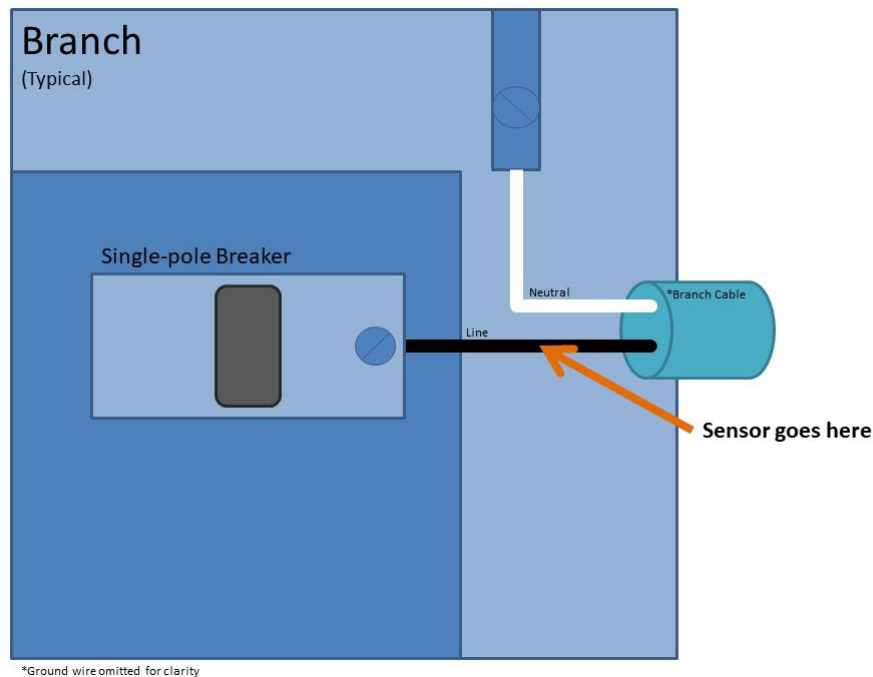
The most common application of Eyedro Electricity Monitoring products is for monitoring of the electrical service entrance of a building. However, there are other common applications where Eyedro Electricity Monitoring products are often used. The following sub-sections provide a brief overview of some of the most common applications.

To use Eyedro Electricity Monitoring products in one of these applications, follow ALL instructions and precautions from the Service Entrance installation procedure but substitute step 4 to install the sensors on the **line/live** conductor of your desired circuit.

BRANCH CIRCUIT MONITORING

Branch circuits are typically used for lighting and receptacles throughout the building. These circuits can be identified by a single-pole breaker in the electrical panel. Cabling typically consists of black (line) and white (neutral) conductors with a bare copper (or green) ground conductor.

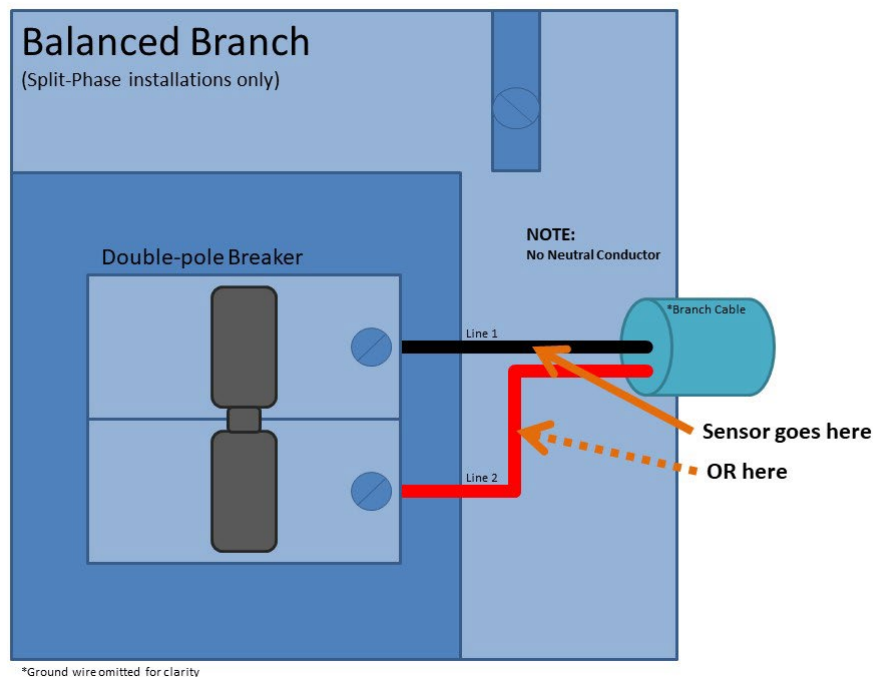
One (1) sensor is required for monitoring branch circuits. The sensor should be installed on the line wire of the circuit (typically black).



BALANCED BRANCH CIRCUIT MONITORING

Balanced branch circuits are common in split-phase electrical services and typically used for large appliances throughout the building. Common examples of balanced loads are electric heaters/baseboards, electric water heaters, air conditioners, heat pumps, pool pumps, etc. These circuits can be identified by a double-pole breaker in the electrical panel. Cabling typically consists of black (line 1) and red (line 2) conductors with a bare copper (or green) ground conductor. **Note: these circuits do not have white (neutral) conductors.**

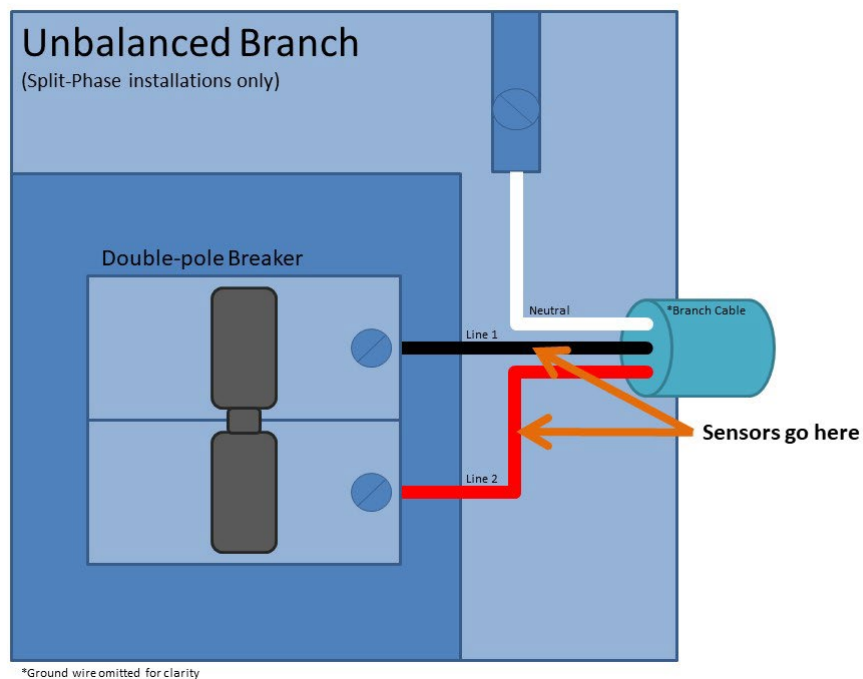
One (1) sensor is required for monitoring balanced branch circuits. The sensor should be installed on either line wire of the circuit (typically black or red).



UNBALANCED BRANCH CIRCUIT MONITORING

Unbalanced branch circuits are common in split-phase electrical services and typically used for large appliances, split receptacles, and sub-panel feeders throughout the building. A typical split-phase residential service entrance is also an example of a 240V unbalanced circuit. These are circuits with both 120V and 240V components. Common examples of 240V unbalanced loads are stoves, electric dryers, kitchen receptacles, sub-panels, etc. These circuits can be identified by a double-pole breaker in the electrical panel. Cabling typically consists of black (line 1), red (line 2), and white (neutral) conductors with a bare copper (or green) ground conductor.

Two (2) sensors are required for monitoring unbalanced circuits. The sensors should be installed on both line wires of the circuit (typically black and red).



THREE-PHASE MONITORING (DELTA OR WYE)

Three-phase installations are common in commercial and industrial environments. These installations require the use of Eyedro Business (EB-*) products. Details and installation instructions for these products are outside the scope of this document.

MOUNT EYEDRO DEVICE

MATERIALS YOU WILL NEED

- ✓ Two (2) #8 (4.2mm) pan head or round head mounting screws (optional – not included)
- ✓ Double-sided tape (optional – not included)

TOOLS YOU WILL NEED

- ✓ Screwdriver

PROCEDURE (VERTICAL MOUNT)

1. Write down the 8-digit serial number from the back of the module. This will be required during software setup.
 - ❗ The serial number will be in the format "**123 - 45678**"
2. Find a clear area on the wall beside the electrical panel.
 - ❗ Make sure all cables will easily reach the module before securing.
 - ❗ Equipment shall not be mounted within 50.8 mm (2 in) in of any live parts including primary conductors, primary terminals, primary lugs. This requirement excludes insulated cables.
 - ❗ Equipment attached to the enclosure shall not contact the panel interior insulation.
 - ❗ Mounting provisions shall not be attached to any live part.
 - ❗ Do not install equipment in any area where breaker arc venting exhaust gasses could be re-directed as a result of equipment installation.
3. Secure the module using either:
 - a) Screws (recommended method)
 - i. Drive the two (2) screws into the wall surface through the flange holes on the sides of the enclosure.
 - ii. **Carefully** tighten the screws until snug. Do not overtighten or it may cause damage to the flange(s).
 - iii. Ensure secure fit.
 - b) Double-sided tape
 - i. Cut several pieces of double-sided tape and place on back of module.
 - ii. Peel tape backing off.
 - iii. Press module carefully but firmly against surface to be mounted on.
 - iv. Hold in place as per tape instructions.
 - v. Ensure module is held securely in place.

PROCEDURE (HORIZONTAL MOUNT)

Mounting is not required for horizontal installations (i.e., on a desktop or shelf). If added security is desired, follow instructions for vertical mounting using screws or double-sided tape.

CONNECT CABLING

MATERIALS YOU WILL NEED

- Ethernet cable
- Low-voltage power adapter(s)
- Tie wraps (optional – not included)

TOOLS YOU WILL NEED

- ✓ None

IMPORTANT

- ❗ Ensure all connectors and sockets are free from damage prior to mating them.
- ❗ Ensure the retention clip on the Ethernet cable is intact.
- ❗ Never force connectors or apply levering action.
- ❗ Ensure all connections are secure.

PROCEDURE (ETHERNET INSTALLATIONS)

1. Connect sensor cables to the Eyedro module.
2. Connect one end of Ethernet cable to Eyedro module.
3. Connect the other end of the Ethernet cable to the router (or Internet access point).
4. Connect the appropriate end of the low-voltage power adapter to the Eyedro module.
 - ❗ Monitoring devices use a power supply with a **6V AC** output.
5. Plug the other end of the low-voltage power adapter into a nearby AC wall receptacle.
 - ❗ Devices should not be plugged into a UPS (Uninterruptible Power Supply) as they may result in inaccurate/incorrect measurements.
6. Secure all wiring neatly with tie wraps.

PROCEDURE (WI-FI INSTALLATIONS)

1. Connect sensor cables to the Eyedro module.
2. Connect the appropriate end of the low-voltage power adapter to the Eyedro module.
 - ❗ Monitoring devices use a power supply with a **6V AC** output.
3. Plug the other end of the low-voltage power adapter into a nearby AC wall receptacle.
 - ❗ Devices should not be plugged into a UPS (Uninterruptible Power Supply) as they may result in inaccurate/incorrect measurements.
4. Secure all wiring neatly with tie wraps.

INTERNET CONNECTION

All Eyedro products are designed to take advantage of the MyEyedro cloud services – thus requiring the product(s) to be always connected to the internet. There is a small amount of internal memory to store data in the event of a temporary disruption to your internet service.

For most networks, it only requires that you connect the device to the network with a DHCP server somewhere on the network. A DHCP server is enabled on most routers by default and will provide connected hardware with an IP address so they can communicate via the internet.

In some cases, additional security has been added to the local network (firewall, port filtering, etc.) making some additional configuration necessary. A good test would be to plug a laptop or computer into the same Ethernet port that you intend to use for your (wired) Eyedro product, or, if installing an Eyedro Wi-Fi product, provision it to connect to the same Wi-Fi network – if you can open a browser and navigate the web no additional configuration is likely needed.

A couple of important notes:

- **All Eyedro Wi-Fi** devices utilize the **2.4GHz** frequency band. Ensure your Wi-Fi router supports 2.4GHz devices. They will not work on 5GHz only Wi-Fi networks.
- Ethernet devices require connection to **an active Ethernet port** on your router, switch, or hub.
- Ethernet devices ship with Ethernet patch cords (straight-through). Most routers, switches and hubs provide crossover functionality, but some old hardware may not. In those cases, it may be necessary to connect to a specific port or use a crossover cable.
- **Generation 6** devices are **Ethernet hot-swappable**. You can plug the Ethernet cable in at any time to use it. Gen 6 device serial numbers will start with **A14-1**
- **Generation 6** devices are **100BASE-T Full Duplex** auto negotiating.
- **Generation 5** devices require that the Ethernet cable be plugged in before applying power to the device. Gen 5 device serial numbers will start with **A14-0**
- **Generation 5** devices are **10BASE-T Half Duplex**.
- All devices require a **DHCP server** somewhere on the network.
- If your network does not have a DHCP server, or it is restricted, you may need to reserve an IP address for the device based on the MAC address of the device.
- All devices communicate using **port 80 (HTTP)** – all communication to/from the device looks like standard **web traffic**.
- If you have changed the DNS settings in your router (i.e., to use an ad blocker), try switching back to use the default settings. Alternately use Google's DNS servers 8.8.8.8 (primary) and 8.8.4.4 (secondary)

PROVISIONING WI-FI

MATERIALS YOU WILL NEED

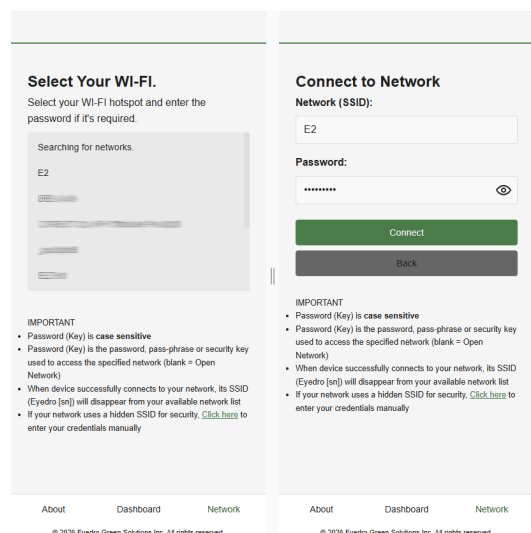
- None

TOOLS YOU WILL NEED

- ✓ Phone, tablet, or computer (to connect to the device's network)

PROCEDURE

1. Using a phone, tablet, or computer, disconnect from your current Wi-Fi network.
 - ❗ It may be necessary to explicitly deselect 'auto-connect'. Failing to do so may cause the provisioning device to switch back to its original network during provisioning.
 - ❗ If your device has an alternate path to the internet (i.e., cellular), it may be necessary to disable that network connection during provisioning (i.e., turn off cellular).
 - ❗ It may be necessary to temporarily disable your virus scanner during provisioning.
2. Using the same phone/tablet/computer, search for available Wi-Fi networks and connect to the Wi-Fi network created by your Eyedro device.
 - ❗ The name of the created network will be "Eyedro [xxx-yyyy]" where xxx-yyyy matches the serial number of the device.
3. Once connected, you should be automatically redirected to the Network Setup page on the Eyedro device.
 - ❗ If not automatically redirected to the setup page, try the following:
 - i. Click 'Sign in to Eyedro [xxx-yyyy]' if presented.
 - ii. Open a browser and enter **192.168.1.1** in the browser URL.
4. Choose the desired Wi-Fi network from the list, enter the password and click **Connect**.



5. On successful connection, your provisioning device (phone, tablet or computer) will disconnect from the Eyedro device. The Eyedro device's Wi-Fi network will also no longer appear in your available networks list.

PRODUCT GUIDE: HOME ELECTRICITY MONITORING PRODUCTS

6. Reconnect your phone, tablet, or computer to your original Wi-Fi network. Don't forget to re-enable your cellular connection and/or virus scanner if you turned them off during provisioning.

Important note: If the setup is not successful, the device will recreate its own network and reappear in your available network list. Your device must be connected to the internet before you will be able to claim it on your MyEyedro Account.

TIPS

When applying power to the device it will run through its startup tests. Approximately 10 seconds after power has been applied, the status lights will indicate the status of the communication:

- ✓ **Red/Green** (both) toggle 2 seconds on/off = **Not connected**.
SSID, "Eyedro [xxx-yyyy]", should be visible in your available Wi-Fi network list.
- ✓ **Green** toggle 2 seconds on/off = **Connected**.
Device is connected to the provisioned network and should appear as 'Active' in MyEyedro.

If the status lights are still not green (connected) after following the procedure, cycle power to the Eyedro device and try the procedure again – carefully following all instructions and notes.

Wi-Fi connection videos can be found online at the following links:

Eyedro Wi-Fi connection setup via Desktop: [video link](#)

Eyedro Wi-Fi connection setup via mobile: [video link](#)

Eyedro Wi-Fi connection setup via Android: [video link](#)

Eyedro Wi-Fi connection setup via iPhone: [video link](#)

Additional tips and troubleshooting advice can be found online at:

MyEyedro User Guide: [MyEyedro Device Installation](#)

Website: [eyedro.com](#)

Support: [eyedro.com/support](#)

SOFTWARE CONFIGURATION

MYEYEDRO.COM



The **MyEyedro** cloud service is the interface for your Eyedro device(s). Eyedro and MyEyedro are always working together to measure, analyze and store your usage and cost information. With MyEyedro, your data is automatically and securely stored in the cloud, so it's ready when and where you need it most. MyEyedro presents your data in ways that are engaging, informative and easy to understand. See real-time usage and gain access to many helpful features, including:

- Responsive real-time graphs
- Hourly/Daily/Weekly/Monthly cost estimates
- Comparisons and estimates
- Configurable reports

MyEyedro is easy to use and accessible from a standard web browser.

1. Go online to: <http://my.eyedro.com> to create your online account (or login if you have an existing account).
2. From the system configuration screen, enter the serial number of your Eyedro Module(s) – found on the back of the device(s).

For more information on MyEyedro and complete instructions for adding devices, refer to the online documentation and user guide found at <http://eyedro.com/support>

SPECIFICATIONS


HARDWARE SPECIFICATIONS

Power Supply	Class 2 Power Supply Input: 120Vac, 60Hz (North America/Type A) Input: 240Vac, 50Hz (Europe/Type C) Output: 6Vac, 0-500mA
Ambient Operating Conditions	0°C to 50°C (32°F to 122°F) 80% relative humidity
Storage Conditions	-20°C to 70°C (-4°F to 158°F) 80% relative humidity
Module Dimensions (W x H x D)	77 x 75 x 25 mm (3 x 3 x 1 in)
Parts Included	1x EM*.ENWI.2E 2x 200A Current Sensors 1x 10ft Ethernet Cable 1x 6V AC Power Adapter
Weight [approximate]¹	0.800 kg (1.8 lbs)
Wireless Link	IEEE 802.11 b/g/n 2.412 to 2.484 GHz
Wireless Range [typical]²	Indoors: 50m (150ft) Line of sight: 100m (300ft)

¹ Approximate weight is based on two (2) sensor models including packaging and contents.

² Wireless range is dependent on the location and environment that device(s) are installed in. Typical values provided.

SENSOR SPECIFICATIONS

Sensor	Input	Output	Accuracy	Opening		Cable Length
200A (ESCR-20-200A)	0 to 200Aac 600V 50/60Hz	0 to 0.333Vac	±1% Typical ¹	19.00 mm (0.75 in)		2000 mm (79 in)

¹Accuracy noted is for sensor readings at 10% to 90% of rated current. This product also requires a continuous internet connection.

COMPLIANCE

This product has been tested and found in compliance to:

Safety Requirements for Energy Monitoring Equipment [ANSI/CAN/UL 2808:2020 Ed.1]

Safety Requirements for Electrical Equipment For Measurement, Control, And Laboratory Use - Part 1: General Requirements [UL 61010-1:2012 Ed.3+R:19Jul2019]

Safety Requirements for Electrical Equipment For Measurement, Control, And Laboratory Use – Part 1: General Requirements [CSA C22.2#61010-1-12:2012 Ed.3+U1;U2;A1]

CAN ICES-3 (B)/NMB-3(B); ISED Canada ICES-003, Issue 6, Class B – Information Technology Equipment (Including Digital Apparatus).

Federal Communications Commission (FCC), Part 15, Subpart B, Class B - Unintentional Radiators.

This device complies with Part 15 of the FCC Rules. Operation is subject to the following two conditions: (1) this device may not cause harmful interference and (2) this device must accept any interference received, including interference that may cause undesired operation.

WARRANTY

LIMITED ONE YEAR WARRANTY

Eyedro Green Solutions Inc. shall provide warranty for all defects in material and workmanship for a period of one year from the original date of purchase. Defective parts may be repaired or replaced, at the discretion of the manufacturer, free of charge during this period.

Warranty Conditions:

1. The product must be installed and operated in strict accordance with the provided instructions.
2. The product must be installed and operated in strict accordance with the operating conditions.
3. Warranty claims require original proof of purchase. A photo of the product may also be requested.
4. Warranty is void if the product has been tampered with or modified in any way.
5. Warranty returns require a Return Material Authorization (RMA) number. Visit eyedro.com/support for an RMA number.
6. Warranty excludes shipping fees outside of the continental United States and Canada 7 days after shipment.

TROUBLESHOOTING

Device installation is simple and non-invasive but occasionally problems do arise. Before contacting support, please refer to our online troubleshooting resources.

Troubleshooting: eyedro.com/support-troubleshooting

CONTACT INFORMATION

If you have any questions about using your Eyedro Electricity Monitoring System please visit our website for documentation, videos, frequently asked questions, and contact forms.

Website: eyedro.com

Support: eyedro.com/support



Eyedro Green Solutions Inc.
606 Colby Drive, Unit E
Waterloo, ON, Canada, N2V1A2

COPYRIGHT © 2011-2026 EYEDRO GREEN SOLUTIONS INC. ALL RIGHTS RESERVED.
THIS DOCUMENT, AND ALL ITS CONTENTS, MAY NOT BE MODIFIED, DISTRIBUTED, COPIED, OR REPRODUCED IN ANY FORM, IN PART OR IN WHOLE, WITHOUT THE EXPRESS WRITTEN CONSENT OF EYEDRO GREEN SOLUTIONS INC.

THE EYEDRO ELECTRICITY MONITORING SYSTEM IS INTENDED TO BE USED TO INCREASE AWARENESS OF ELECTRICITY CONSUMPTION WITHIN THE BUILDING AND AS AN ADDITIONAL RESOURCE TO APPROXIMATE UTILITY COSTS. SYSTEM ACCURACY DEPENDS ON A NUMBER OF FACTORS INCLUDING (BUT NOT LIMITED TO): MEASUREMENT AMPLITUDE, SENSOR CALIBRATION, UP TIME, AND STABILITY OF THE VOLTAGE SUPPLY. IT IS NOT INTENDED TO REPLACE THE ELECTRICITY METER FOR THE BUILDING.

EYEDRO GREEN SOLUTIONS INC. RESERVES THE RIGHT TO MAKE CHANGES TO THE PRODUCTS, SPECIFICATIONS, AND/OR DOCUMENTATION AT ANY TIME WITHOUT NOTICE.

IMAGES AND/OR INSTRUCTIONS DETAILED IN THIS DOCUMENT MAY DIFFER FROM THE ACTUAL PRODUCT HARDWARE AND/OR SOFTWARE.